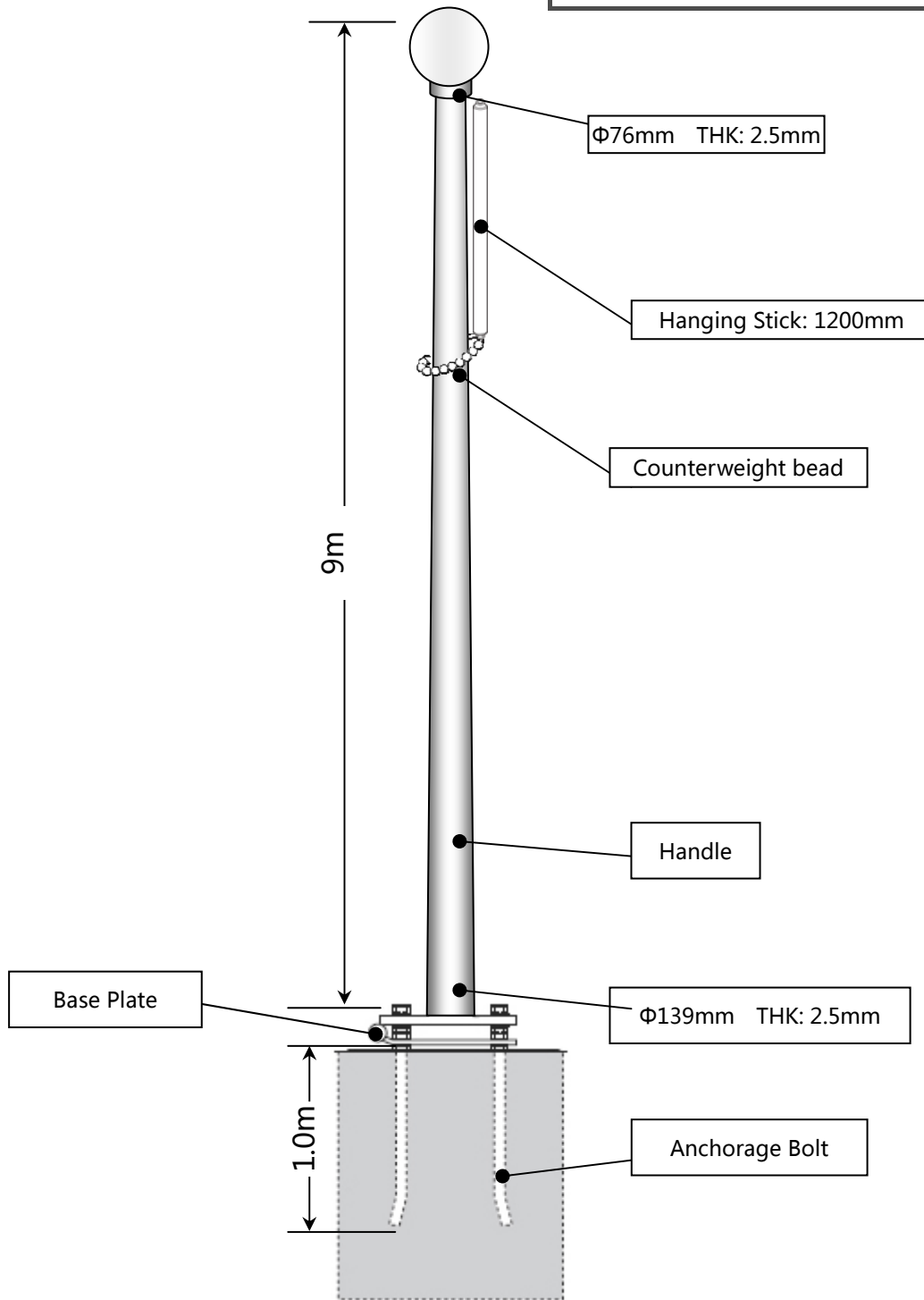


THE INFORMATION CONTAINED IN THIS DRAWING IS SOLE PROPERTY OF SHIYUAN INC.

DRAWN CHEN	08-04-23	SHIYUAN, INC.	
CHECKED ASHIN	08-04-23		
APPROVED LEE	08-04-23	SIZE A	DWG NAME 9M-Elevation
SCALE None		REV -	SHEET 1 OF 5



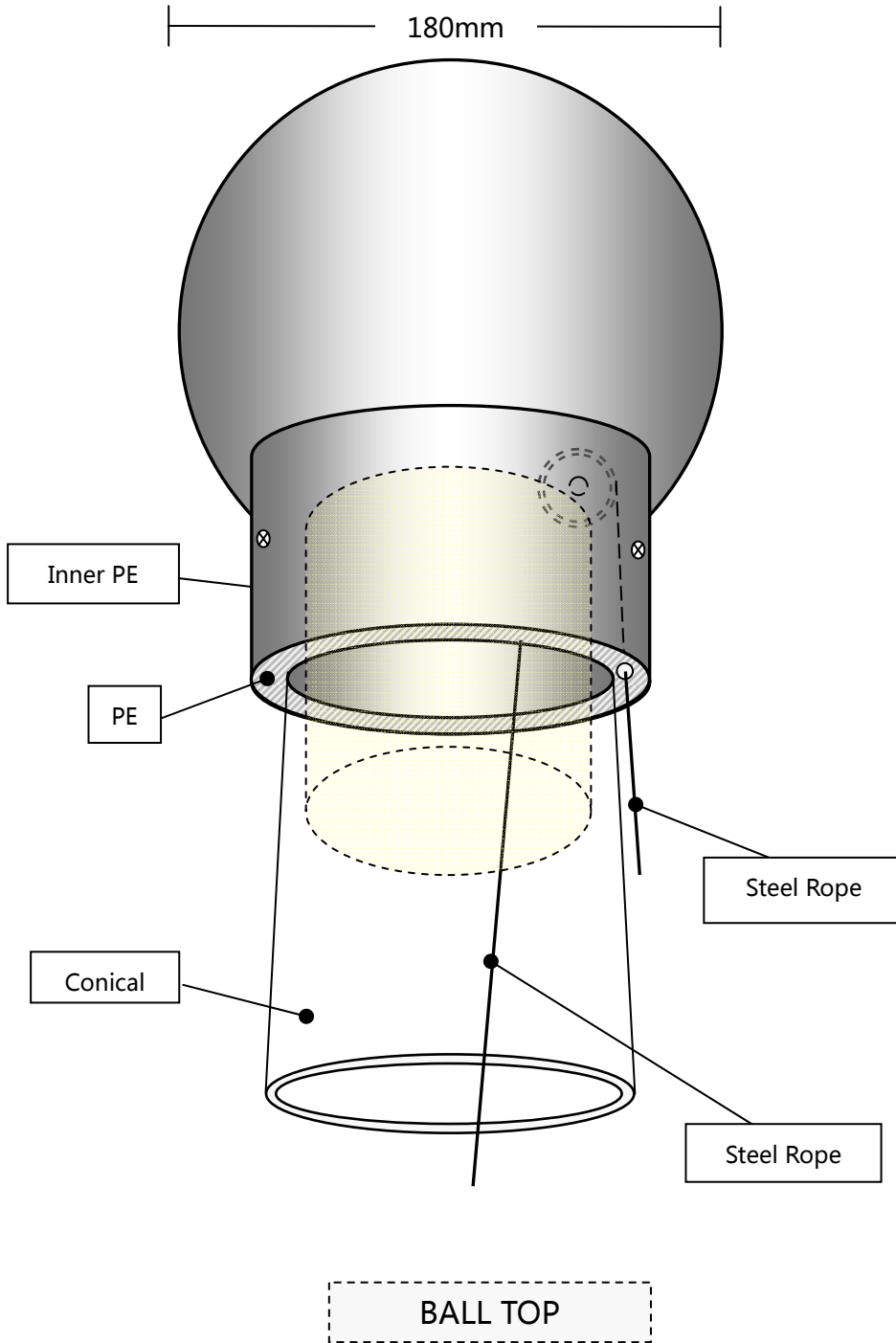
ELEVATION

Customer P.O. #: _____	Date: _____	Customer Name: _____
Factory Order #: _____	Quantity: _____	Project Name: _____
Pole Sections: _____	Finish: _____	Architect Name: _____

360° Revolving Ball Top

THE INFORMATION CONTAINED IN THIS DRAWING IS SOLE PROPERTY OF SHIYUAN INC.

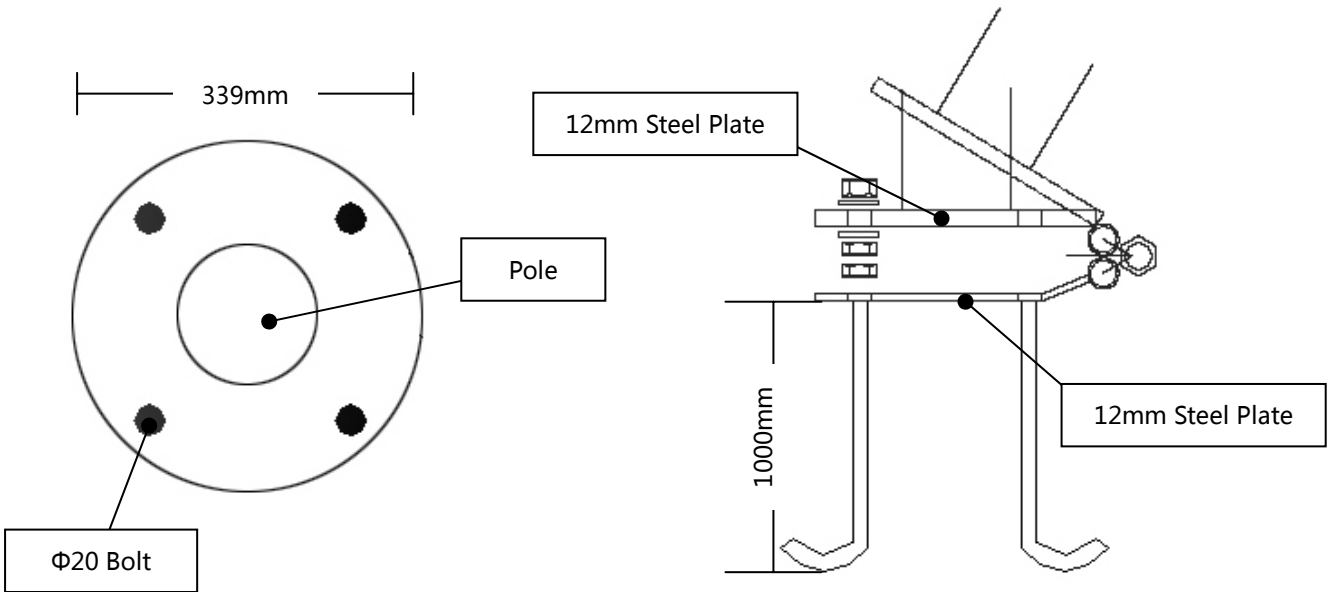
DRAWN CHEN	08-04-23	SHIYUAN, INC.	
CHECKED ASHIN	08-04-23	SIZE A	DWG NAME 9M-Ball Top
APPROVED LEE	08-04-23		REV -
SCALE	None		



Customer P.O. #: _____ Date: _____ Customer Name: _____
 Factory Order #: _____ Quantity: _____ Project Name: _____
 Pole Sections: _____ Finish: _____ Architect Name: _____

THE INFORMATION CONTAINED IN THIS DRAWING IS SOLE PROPERTY OF SHIYUAN INC.

DRAWN CHEN	08-04-23	SHIYUAN, INC.	
CHECKED ASHIN	08-04-23		
APPROVED LEE	08-04-23	SIZE A	DWG NAME 9M-Hinged Base
SCALE	None	REV	-
		SHEET	3 OF 5

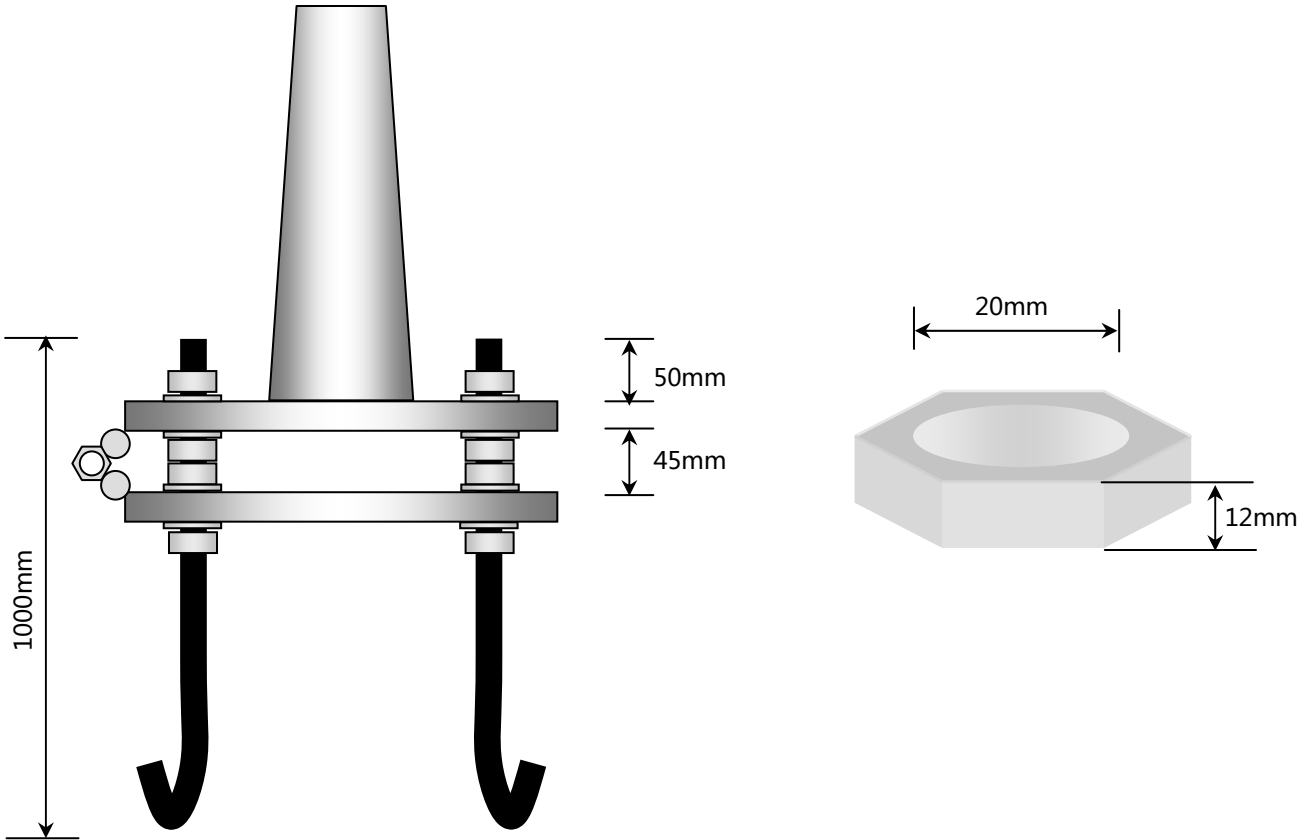


HINGED BASE

Customer P.O. #: _____	Date: _____	Customer Name: _____
Factory Order #: _____	Quantity: _____	Project Name: _____
Pole Sections: _____	Finish: _____	Architect Name: _____

THE INFORMATION CONTAINED IN THIS DRAWING IS SOLE PROPERTY OF SHIYUAN INC.

DRAWN CHEN	08-04-23	SHIYUAN, INC.	
CHECKED ASHIN	08-04-23	SIZE A	DWG NAME 9M-Hinged Base
APPROVED LEE	08-04-23		
SCALE	None	REV	-
		SHEET	4 OF 5

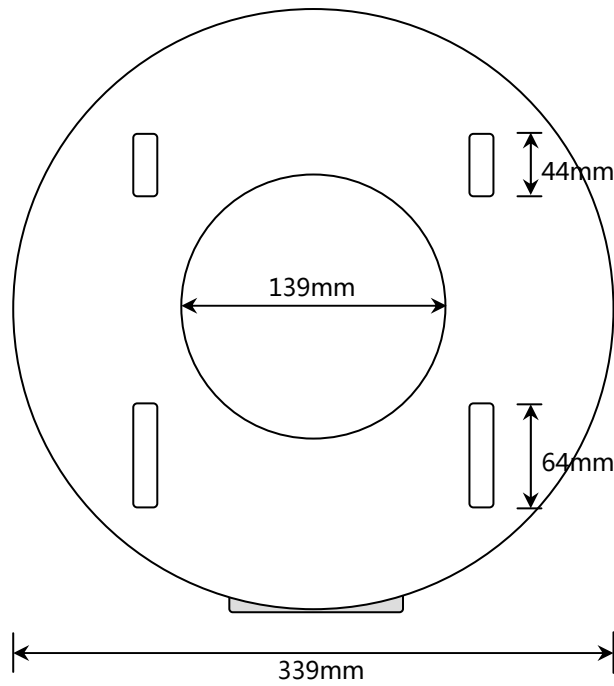


HINGED BASE ELEVATION

Customer P.O. #: _____ Date: _____ Customer Name: _____
 Factory Order #: _____ Quantity: _____ Project Name: _____
 Pole Sections: _____ Finish: _____ Architect Name: _____

THE INFORMATION CONTAINED IN THIS DRAWING IS SOLE PROPERTY OF SHIYUAN INC.

DRAWN CHEN	08-04-23	SHIYUAN, INC.	
CHECKED ASHIN	08-04-23		
APPROVED LEE	08-04-23	SIZE A	DWG NAME 9M-Hinged Base
SCALE	None	REV	-
		SHEET	5 OF 5



HINGED BASE PLAN VIEW

Customer P.O. #: _____ Date: _____ Customer Name: _____
 Factory Order #: _____ Quantity: _____ Project Name: _____
 Pole Sections: _____ Finish: _____ Architect Name: _____