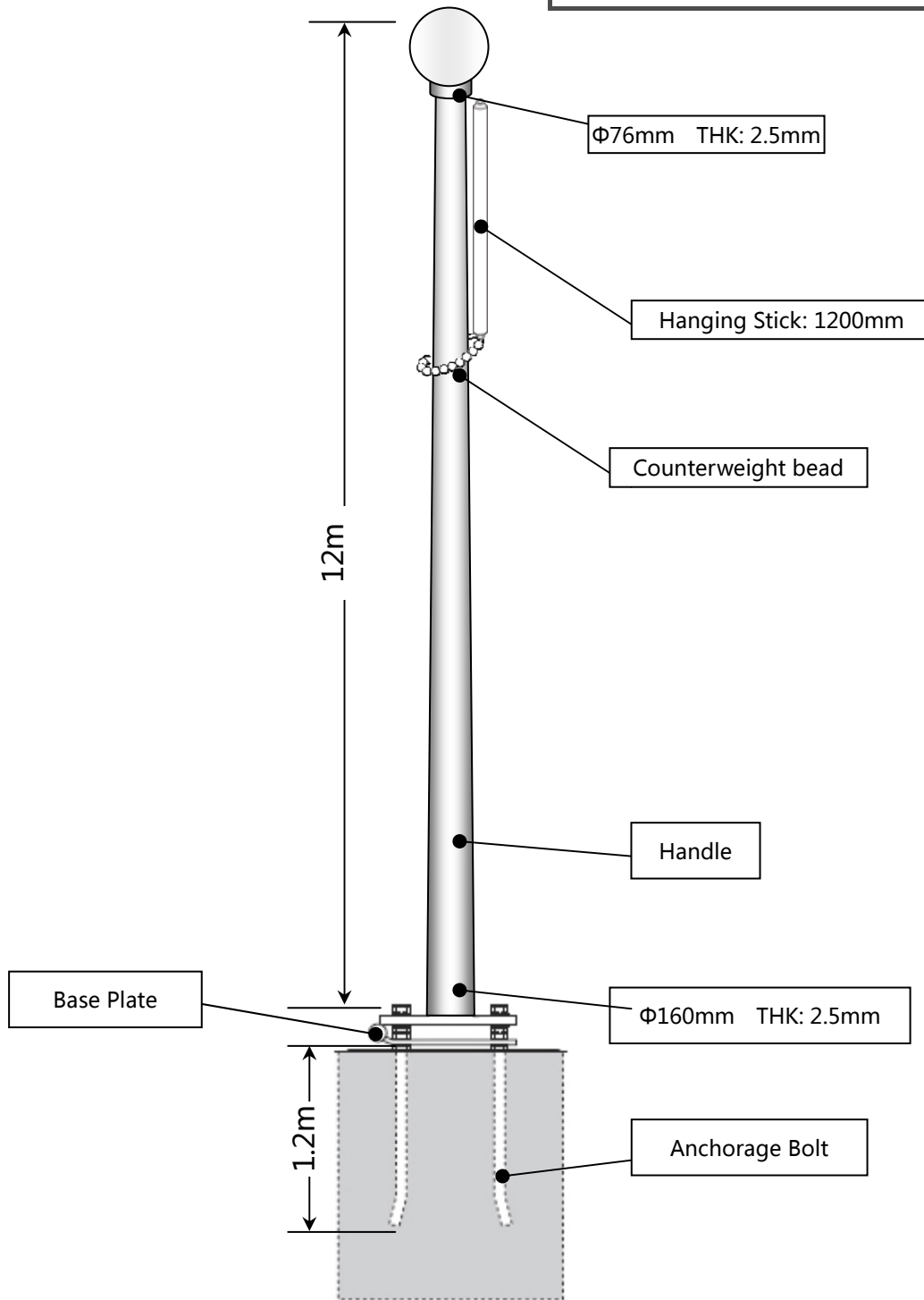


THE INFORMATION CONTAINED IN THIS DRAWING IS SOLE PROPERTY OF SHIYUAN INC.

DRAWN CHEN 08-04-23	SHIYUAN, INC.	
CHECKED ASHIN 08-04-23	SIZE A	DWG NAME 12M-Elevation
APPROVED LEE 08-04-23		REV -
SCALE None		

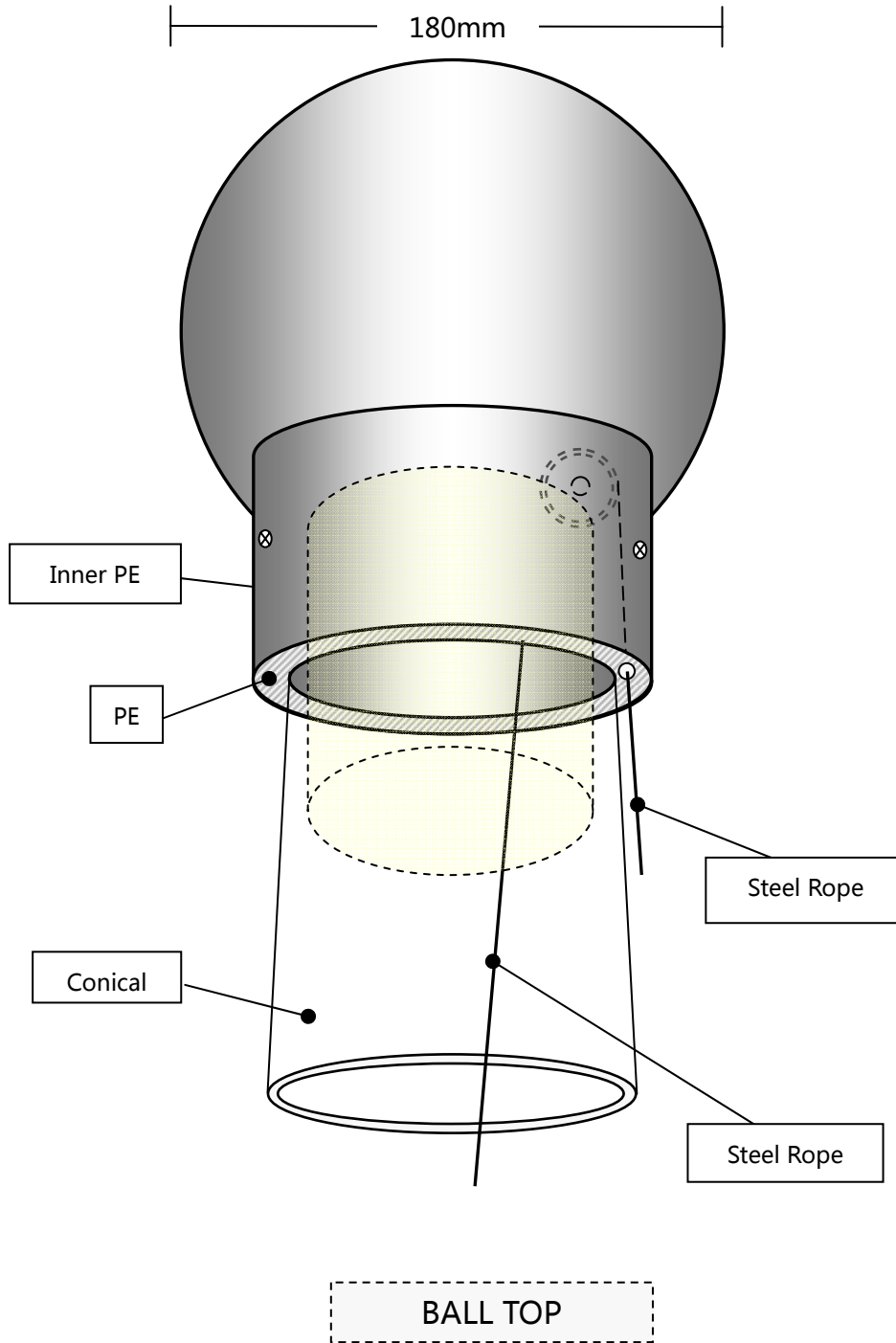


ELEVATION

Customer P.O. #: _____ Date: _____ Customer Name: _____
 Factory Order #: _____ Quantity: _____ Project Name: _____
 Pole Sections: _____ Finish: _____ Architect Name: _____

THE INFORMATION CONTAINED IN THIS DRAWING IS SOLE PROPERTY OF SHIYUAN INC.

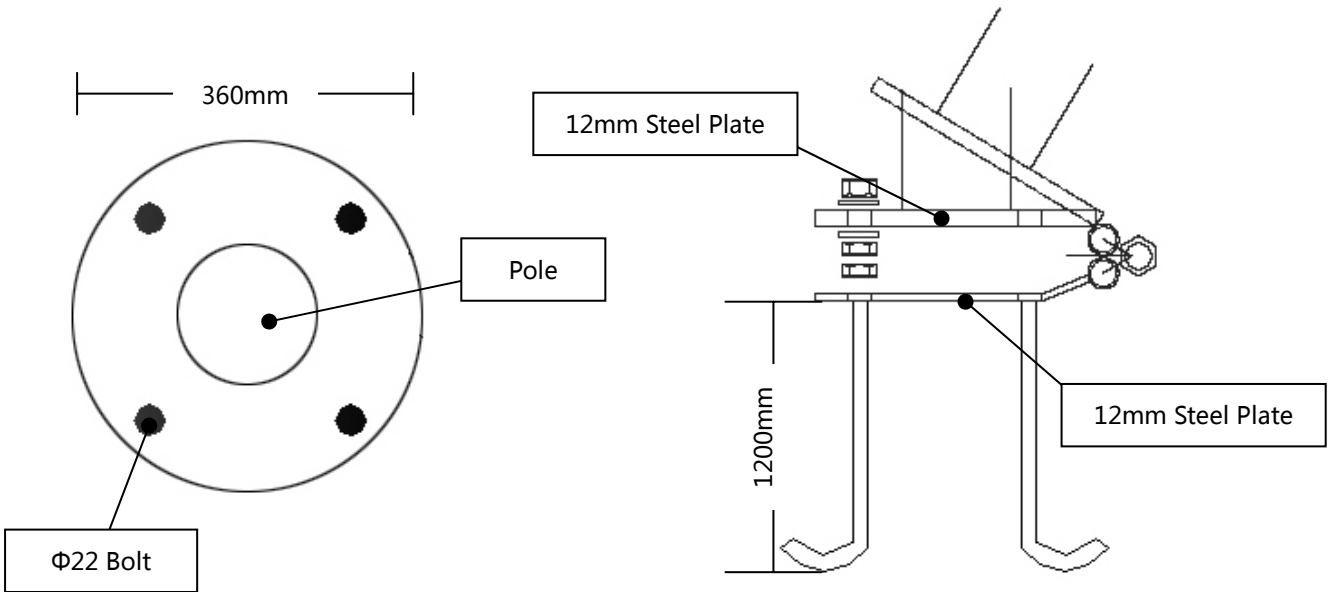
DRAWN CHEN	08-04-23	SHIYUAN, INC.	
CHECKED ASHIN	08-04-23		
APPROVED LEE	08-04-23	SIZE A	DWG NAME 12M-Ball Top
SCALE	None	REV	-
		SHEET 2 OF 5	



Customer P.O. #: _____ Date: _____ Customer Name: _____
 Factory Order #: _____ Quantity: _____ Project Name: _____
 Pole Sections: _____ Finish: _____ Architect Name: _____

THE INFORMATION CONTAINED IN THIS DRAWING IS SOLE PROPERTY OF SHIYUAN INC.

DRAWN CHEN	08-04-23	SHIYUAN, INC.	
CHECKED ASHIN	08-04-23		
APPROVED LEE	08-04-23	SIZE A	DWG NAME 12M-Hinged Base
SCALE	None	REV	-
		SHEET	3 OF 5

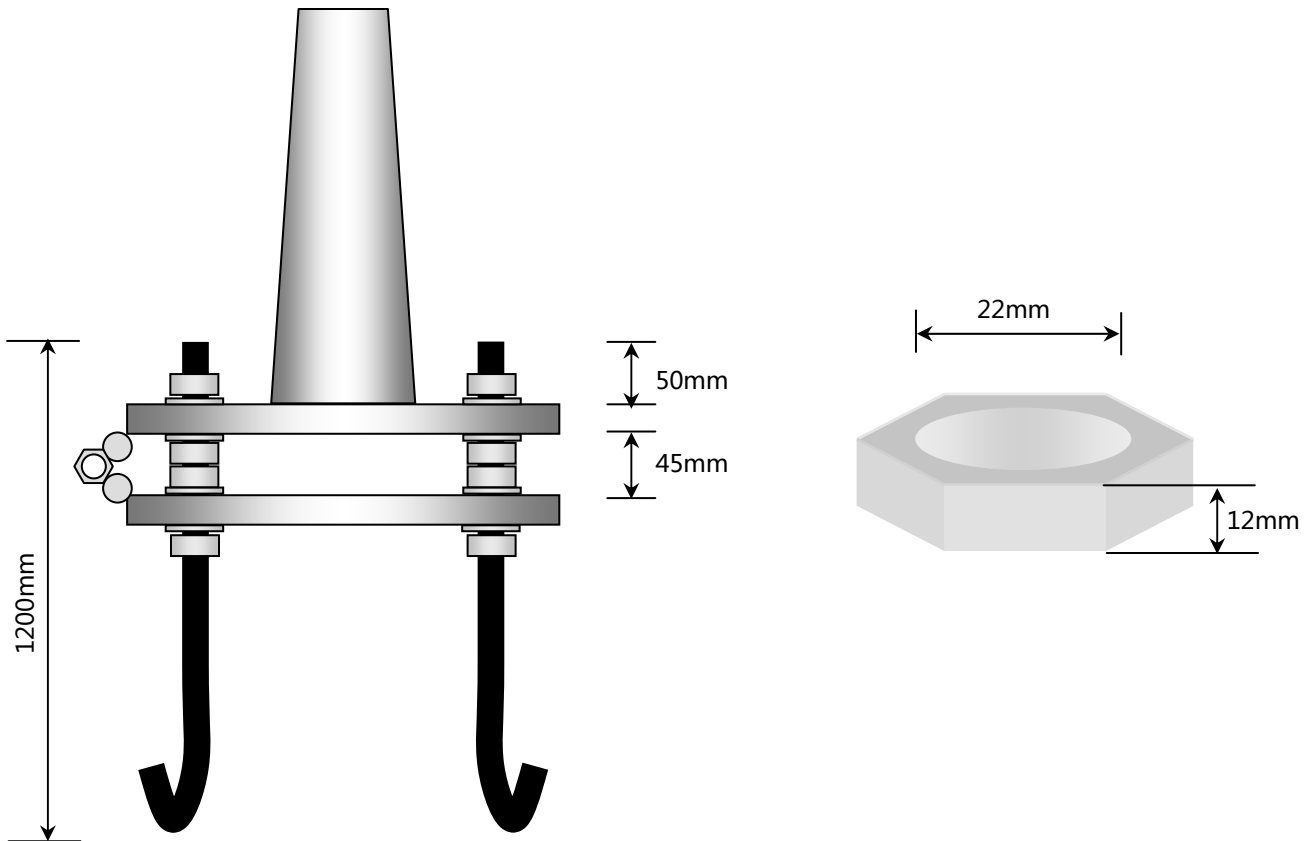


HINGED BASE

Customer P.O. #: _____	Date: _____	Customer Name: _____
Factory Order #: _____	Quantity: _____	Project Name: _____
Pole Sections: _____	Finish: _____	Architect Name: _____

THE INFORMATION CONTAINED IN THIS DRAWING IS SOLE PROPERTY OF SHIYUAN INC.

DRAWN CHEN	08-04-23	SHIYUAN, INC.	
CHECKED ASHIN	08-04-23		
APPROVED LEE	08-04-23	SIZE A	DWG NAME 12M-Hinged Base
SCALE	None	REV	-
		SHEET 4 OF 5	

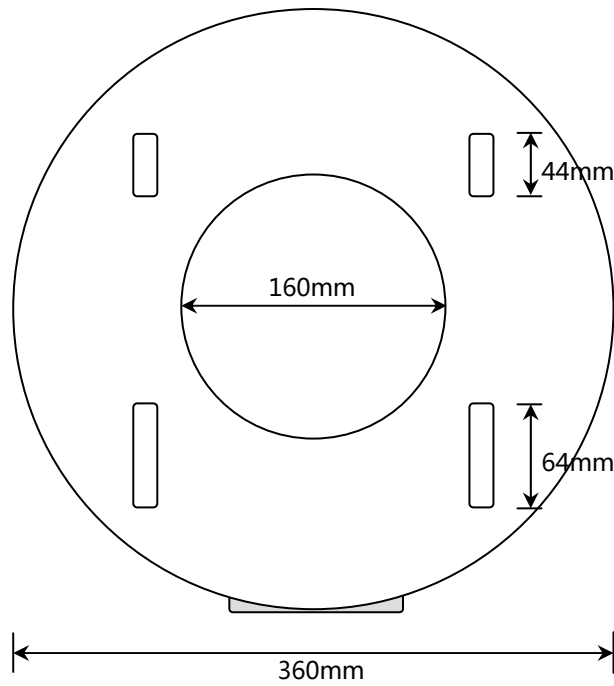


HINGED BASE ELEVATION

Customer P.O. #: _____ Date: _____ Customer Name: _____
 Factory Order #: _____ Quantity: _____ Project Name: _____
 Pole Sections: _____ Finish: _____ Architect Name: _____

THE INFORMATION CONTAINED IN THIS DRAWING IS SOLE PROPERTY OF SHIYUAN INC.

DRAWN CHEN	08-04-23	SHIYUAN, INC.	
CHECKED ASHIN	08-04-23		
APPROVED LEE	08-04-23	SIZE A	DWG NAME 12M-Hinged Base
SCALE	None	REV	-
		SHEET 5 OF 5	



HINGED BASE PLAN VIEW

Customer P.O. #: _____ Date: _____ Customer Name: _____
 Factory Order #: _____ Quantity: _____ Project Name: _____
 Pole Sections: _____ Finish: _____ Architect Name: _____