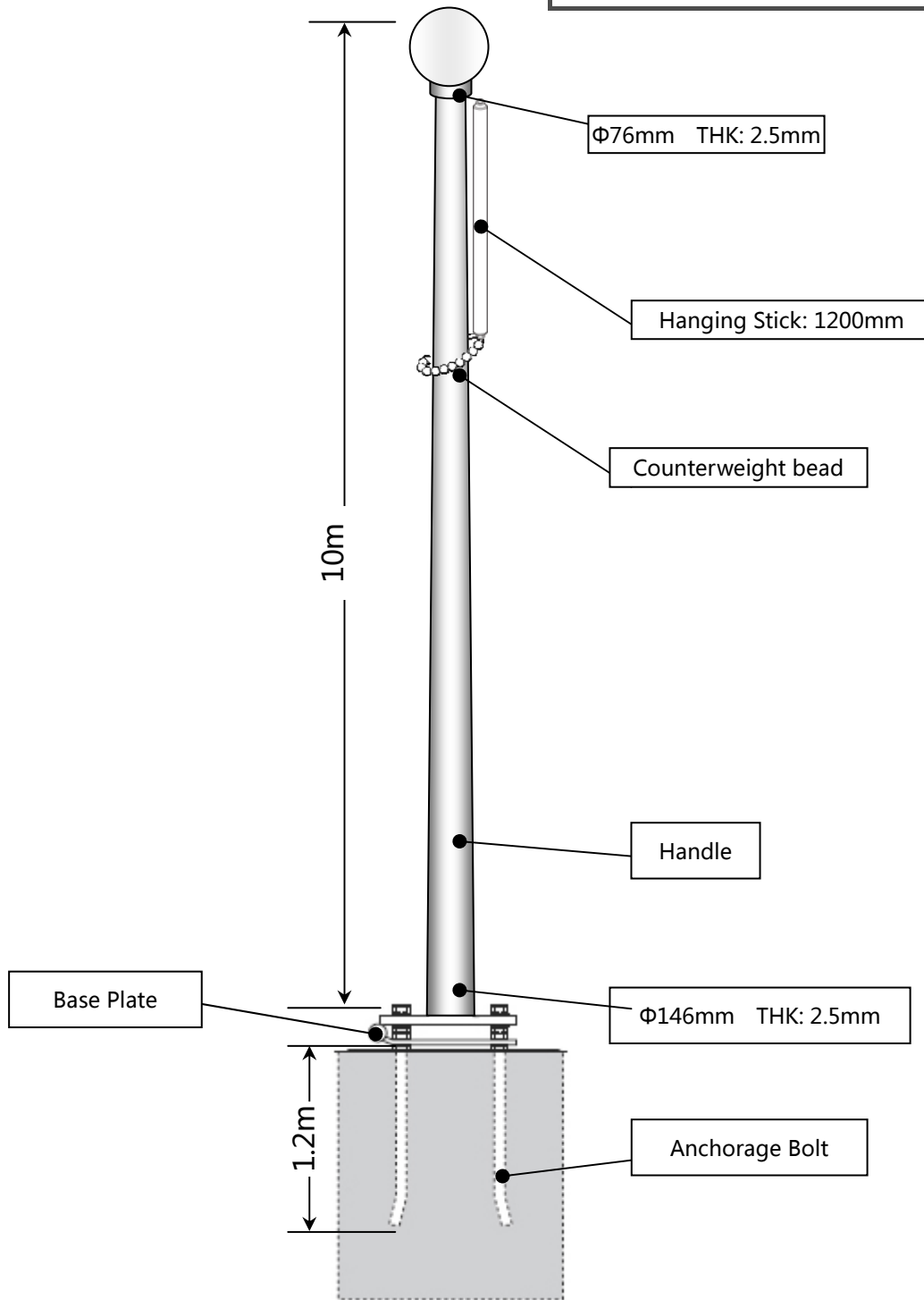


THE INFORMATION CONTAINED IN THIS DRAWING IS SOLE PROPERTY OF SHIYUAN INC.

DRAWN <b>CHEN</b>	08-04-23	SHIYUAN, INC.	
CHECKED <b>ASHIN</b>	08-04-23		
APPROVED <b>LEE</b>	08-04-23	SIZE <b>A</b>	DWG NAME <b>10M-Elevation</b>
SCALE None		REV -	SHEET 1 OF 5

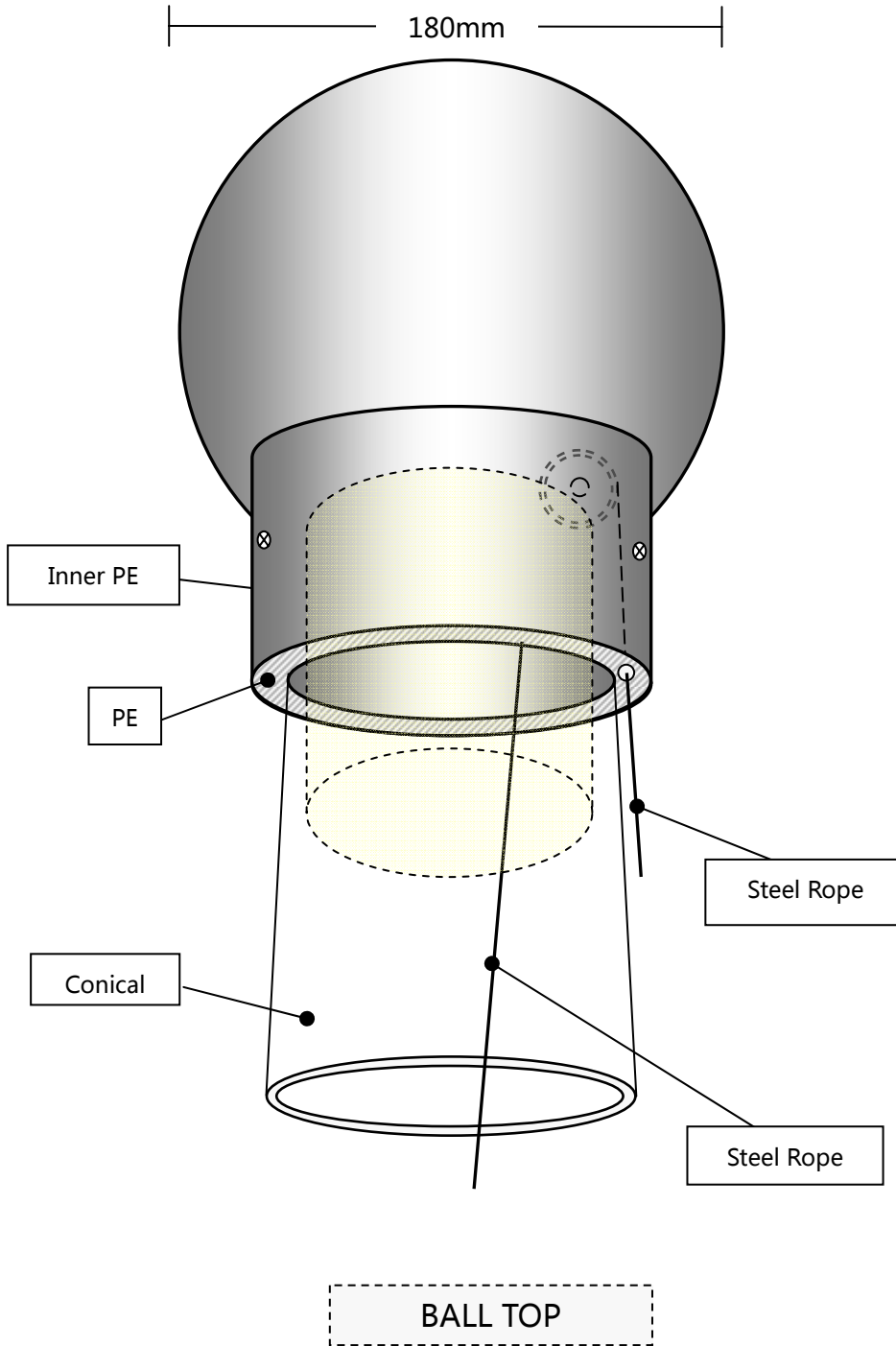


ELEVATION

Customer P.O. #: \_\_\_\_\_ Date: \_\_\_\_\_ Customer Name: \_\_\_\_\_  
 Factory Order #: \_\_\_\_\_ Quantity: \_\_\_\_\_ Project Name: \_\_\_\_\_  
 Pole Sections: \_\_\_\_\_ Finish: \_\_\_\_\_ Architect Name: \_\_\_\_\_

THE INFORMATION CONTAINED IN THIS DRAWING IS SOLE PROPERTY OF SHIYUAN INC.

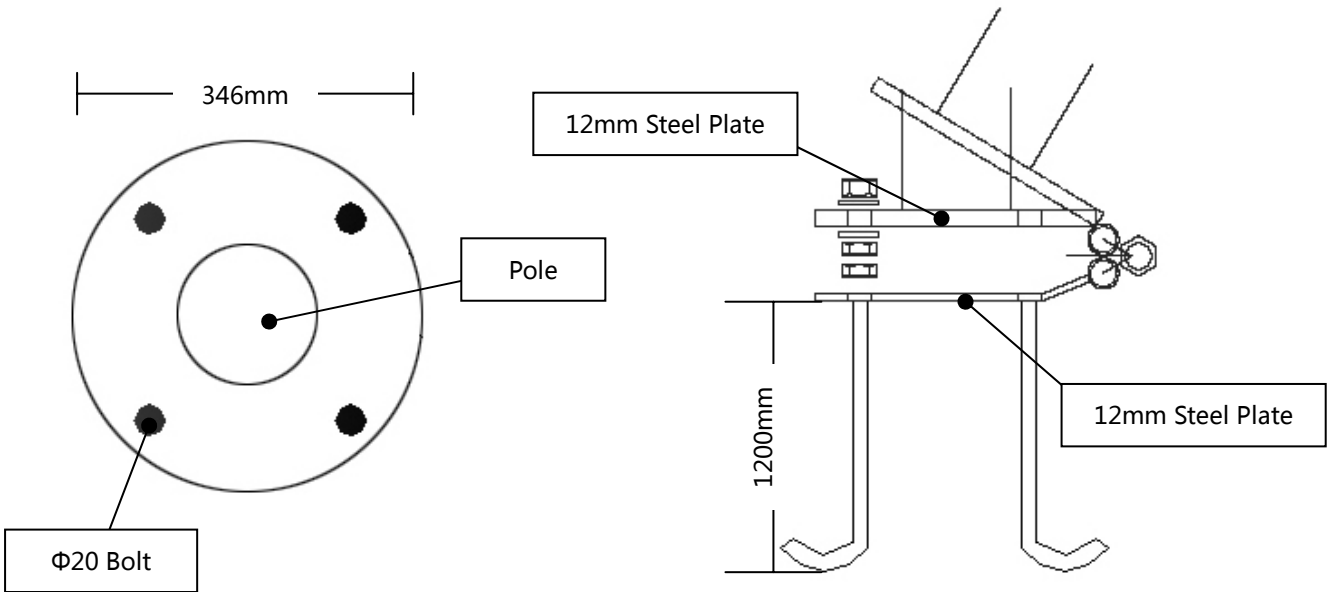
DRAWN <b>CHEN</b>	08-04-23	SHIYUAN, INC.	
CHECKED <b>ASHIN</b>	08-04-23		
APPROVED <b>LEE</b>	08-04-23	SIZE <b>A</b>	DWG NAME <b>10M-Ball Top</b>
SCALE	None	REV	-
		SHEET 2 OF 5	



Customer P.O. #: \_\_\_\_\_ Date: \_\_\_\_\_ Customer Name: \_\_\_\_\_  
 Factory Order #: \_\_\_\_\_ Quantity: \_\_\_\_\_ Project Name: \_\_\_\_\_  
 Pole Sections: \_\_\_\_\_ Finish: \_\_\_\_\_ Architect Name: \_\_\_\_\_

THE INFORMATION CONTAINED IN THIS DRAWING IS SOLE PROPERTY OF SHIYUAN INC.

DRAWN <b>CHEN</b>	08-04-23	SHIYUAN, INC.	
CHECKED <b>ASHIN</b>	08-04-23		
APPROVED <b>LEE</b>	08-04-23	SIZE <b>A</b>	DWG NAME <b>10M-Hinged Base</b>
SCALE	None	REV	-
		SHEET	3 OF 5

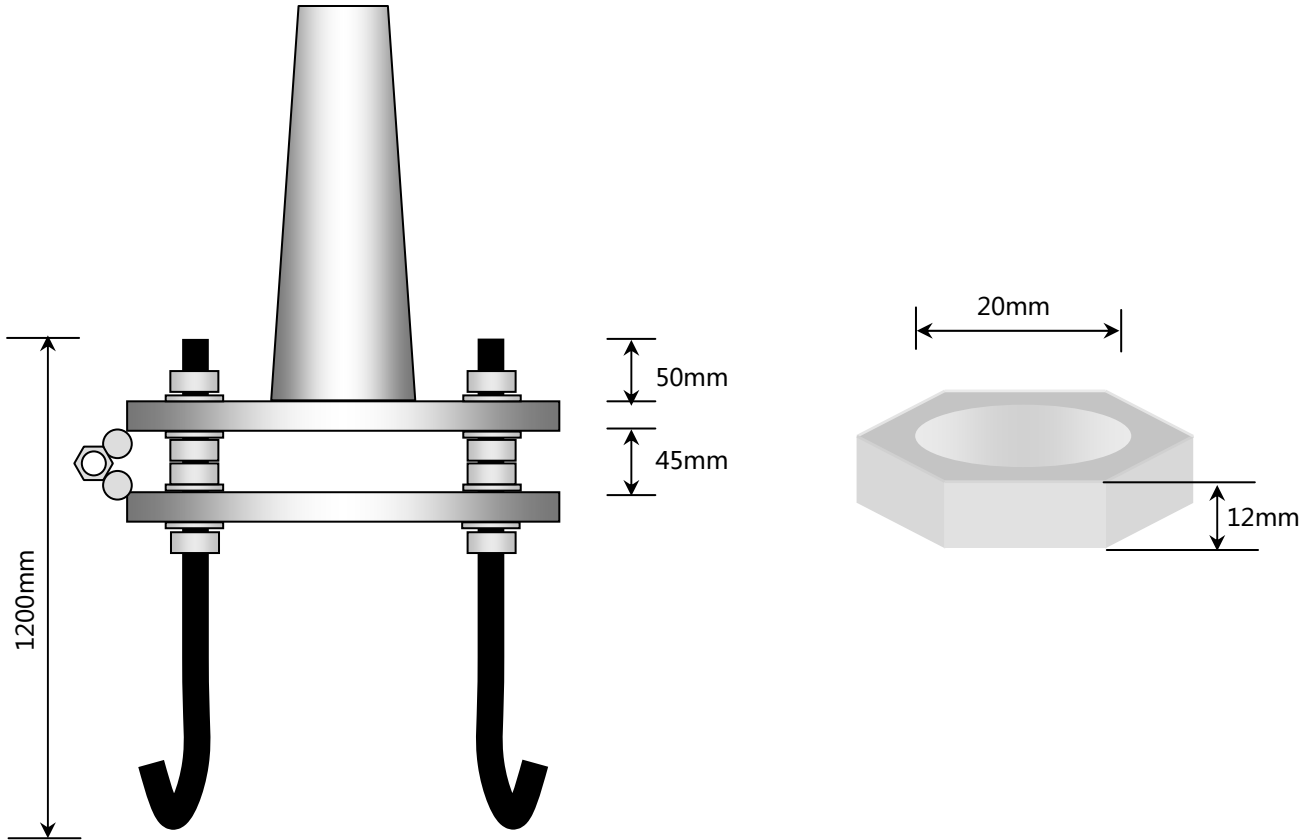


HINGED BASE

Customer P.O. #: _____	Date: _____	Customer Name: _____
Factory Order #: _____	Quantity: _____	Project Name: _____
Pole Sections: _____	Finish: _____	Architect Name: _____

THE INFORMATION CONTAINED IN THIS DRAWING IS SOLE PROPERTY OF SHIYUAN INC.

DRAWN <b>CHEN</b>	08-04-23	SHIYUAN, INC.	
CHECKED <b>ASHIN</b>	08-04-23		
APPROVED <b>LEE</b>	08-04-23	SIZE <b>A</b>	DWG NAME <b>10M-Hinged Base</b>
SCALE	None	REV	-
		SHEET	4 OF 5

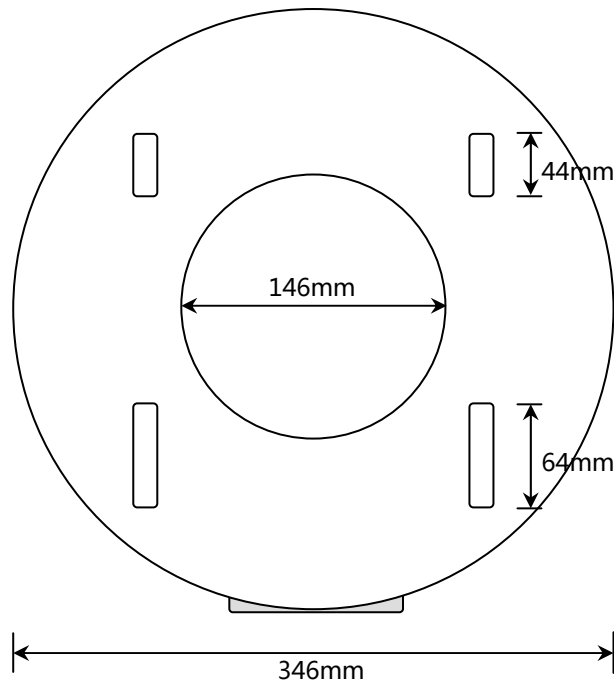


HINGED BASE ELEVATION

Customer P.O. #: \_\_\_\_\_ Date: \_\_\_\_\_ Customer Name: \_\_\_\_\_  
 Factory Order #: \_\_\_\_\_ Quantity: \_\_\_\_\_ Project Name: \_\_\_\_\_  
 Pole Sections: \_\_\_\_\_ Finish: \_\_\_\_\_ Architect Name: \_\_\_\_\_

THE INFORMATION CONTAINED IN THIS DRAWING IS SOLE PROPERTY OF SHIYUAN INC.

DRAWN <b>CHEN</b>	08-04-23	<b>SHIYUAN, INC.</b>	
CHECKED <b>ASHIN</b>	08-04-23		
APPROVED <b>LEE</b>	08-04-23	SIZE <b>A</b>	DWG NAME <b>10M-Hinged Base</b>
SCALE	None	REV	-
		SHEET 5 OF 5	



HINGED BASE PLAN VIEW

Customer P.O. #: _____	Date: _____	Customer Name: _____
Factory Order #: _____	Quantity: _____	Project Name: _____
Pole Sections: _____	Finish: _____	Architect Name: _____